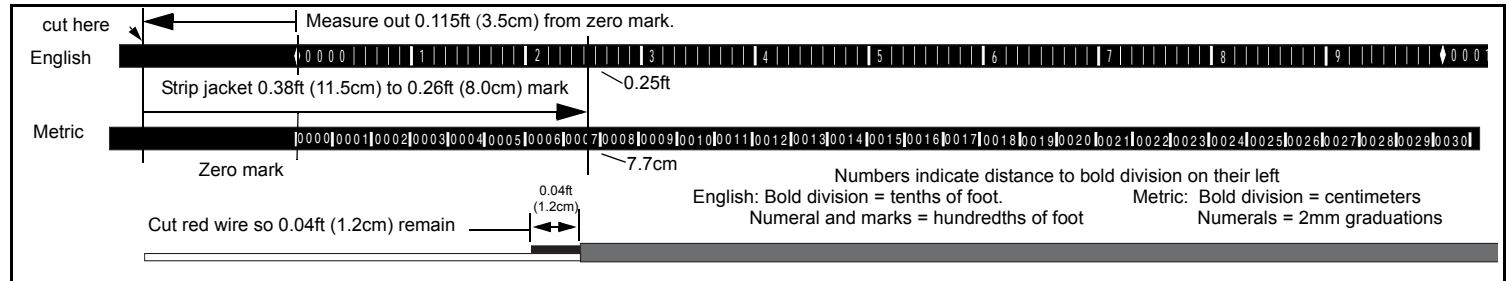


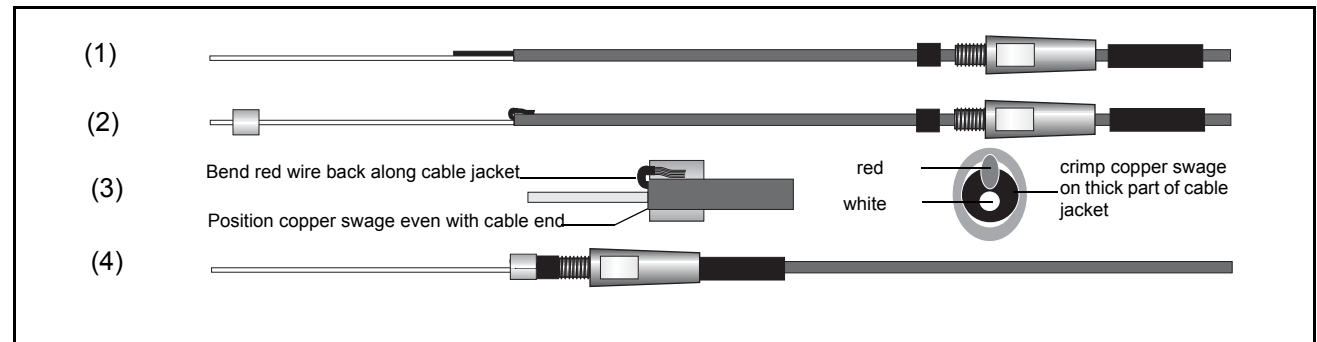
### Cable Preparation:

1. Identify the zero mark.
2. Measure 0.115ft (3.5cm) from zero mark.
3. Strip jacket 0.38ft (11.5cm) to 0.25ft (7.7cm).
4. Cut red wire so that 0.04ft (1.2cm) remain. Do not cut white wire.



### Assembly of Back-end:

1. Slide strain relief, cap, and grommet onto cable. Lightly grease cable if necessary.
2. Strip red wire 0.03ft (0.9cm). Bend back as shown.
3. Slide copper swage over stripped red wire, even with cable end. Crimp on thick part of jacket.
4. Slide grommet, cap, and strain relief snug against copper swage. Insert strain relief firmly into end of cap.



### Assembly of Tip:

1. Slide body onto white wire, tapered-end toward cable end. Screw onto cap. NOTE: left-hand threads are used.
2. Slide small grommet over white wire and seat into body. Strip white wire 0.06ft (1.8cm).
3. Slide poly insulator over wire. Screw into body. Stripped wire should extend beyond end about 0.02ft (0.6cm).
4. Slide sealing washer onto tip. Push wires into insulator, flush with opening. Screw in tip to make electrical connection.

