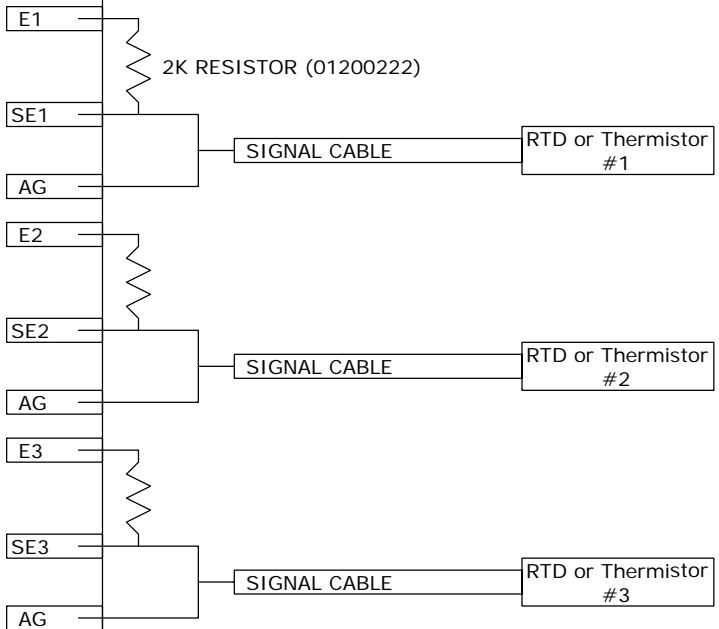


# CR10X



Read 3ea RTD or Thermistor Sensors